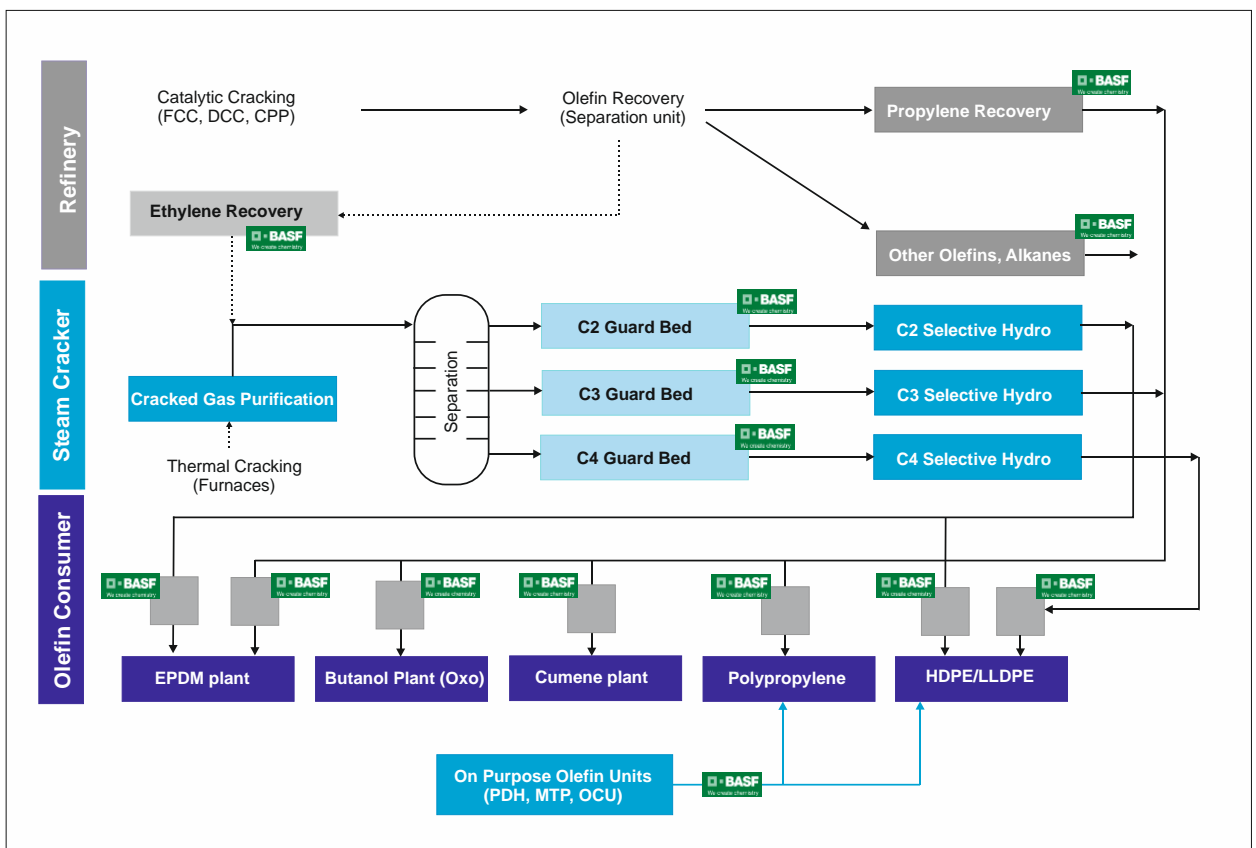




Application Olefin Purification



Olefin Purification

Consists of different steps to remove impurities (ppm to low ppb range) from streams used in the production and use of olefins.

Types of Adsorbents used (please refer also to Products for Olefin Purification)

- 📌 Regenerative Adsorbents (like Selexsorb®) used in Temperature Swing Mode
- 📌 Sacrificial Adsorbents (like PuriStar®) Used in removing Traces of Impurities
- 📌 Catalytic Materials to Convert Impurities like Acetylenes or Oxygen



We create chemistry

Americas

BASF Corporation
25 Middlesex/Essex Turnpike
Iselin, New Jersey, 08830, USA
Phone: +1-732-205-5000
Fax: +1-732-205-7725
Email: catalysts-america@basf.com

Asia Pacific

BASF (China) Company Limited
300 Jiang Xin Sha Road
Pudong, Shanghai 200137
P.R. China
Phone: +86-21-2039 1311
Fax: +86-21-2039 4800-2549
Email: catalysts-asia@basf.com

Europe, Middle East, Africa

BASF Services Europe GmbH
Rotherstraße 11
10245 Berlin, Germany
Tel: +49-30-20055000
Email: catalysts-europe@basf.com



About us

BASF's Catalysts division is the world's leading supplier of environmental and process catalysts. The division offers exceptional expertise in the development of technologies that protect the air we breathe, produce the fuels that power our world and ensure efficient production of a wide variety of chemicals, plastics and other products, including advanced battery materials. By leveraging our industry-leading R&D platforms, passion for innovation and deep knowledge of precious and base metals, BASF's Catalysts division develops unique, proprietary solutions that drive customer success.

BASF – We create chemistry

Although all statements and information in this publication are believed to be accurate and reliable, they are presented gratis and for guidance only, and risks and liability for results obtained by use of the products or application of the suggestions described are assumed by the user. NO WARRANTIES OF ANY KIND, EITHER EXPRESSED OR IMPLIED, INCLUDING WARRANTIES OF MERCHANTABILITY OR FITNESS FOR A PARTICULAR PURPOSE, ARE MADE REGARDING PRODUCTS DESCRIBED OR DESIGNS, DATA OR INFORMATION SET FORTH. Statements or suggestions concerning possible use of the products are made without representation or warranty that any such use is free of patent infringement and are not recommendations to infringe any patent. The user should not assume that toxicity data and safety measures are indicated or that other measures may not be required. © 2022 BASF

www.catalysts.basf.com/olefin-purification